

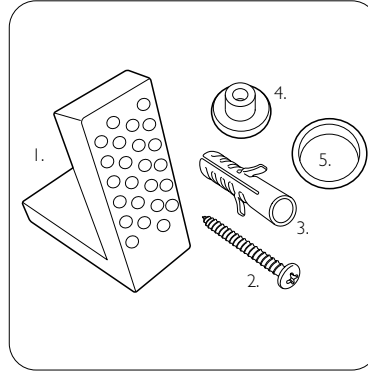
TECHNICAL DATA SHEET

Cadence Square Back To Wall WC Pan - BTWI350S

NO.	Description	Product Code	Fixings included	Gross Weight
1	Soft Close Toilet Seat	TSI050S-SF	YES	2.7KG
2	Back to Wall WC	BTWI350S	YES	28.7KG



Floor Fixings

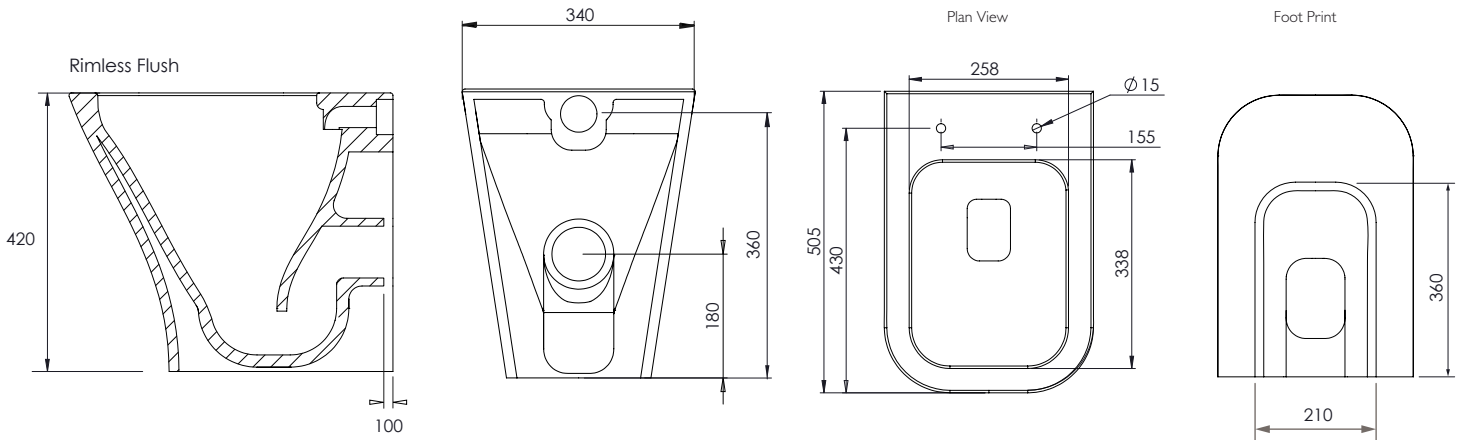


- 1. 2x Nylon Floor Bracket
- 2. 4x Stainless Steel Screws
- 3. 2x Nylon Screw Plugs
- 4. 2x Nylon Screw Collars
- 5. 2x Nylon Collar Caps (Metalic Finish)

Spare Code: SP14211

DIMENSIONS

DIAGRAMS NOT TO SCALE | ALL DIMENSIONS IN MM TOLERANCE OF ± 5MM
ALL PRODUCTS CONFORM TO BRITISH STANDARDS



*Dimensions are subject to change, customers are advised to measure actual product before commencing installation.

**Fixing point dimensions are for guidance only. The positions of fixings must be checked when product is received.

FAQs

Q - Are there any other compatible seats?
A - Yes, a slim seat option is available TSI055S-SF and slim wrap over TSI051S-SF

Q - Which concealed cistern do I use?
A - Torrent (TR9001) or Cascade (TR9002), depending on whether the water feed is bottom or side access. An In-Wall cistern (TR9009) is available for tiled-in installations.

Q - Rim type?
A - Rimless.

Q - What finish is the ceramic glaze?
A - Keramik White

Key Dimensions Descriptions	Key Dimensions (mm)
Front to Back Footprint	360mm
Left to Right Footprint	210mm
Bowl Front to Back	338mm
Bowl Left to Right	258mm
Pan Height	420mm
Pan Overall front to Back	505mm
Centre Flush Inlet to Floor	360mm
Centre Waste Outlet to Floor	180mm
Width of Void	180mm
Is there a Ceramic Brace Bar	No
Distance from Spigot to back of Pan	100mm